

Fig. 1a

# Jøtul F 162 / Jøtul F 163 / Jøtul F 162 C / Jøtul F 163 C

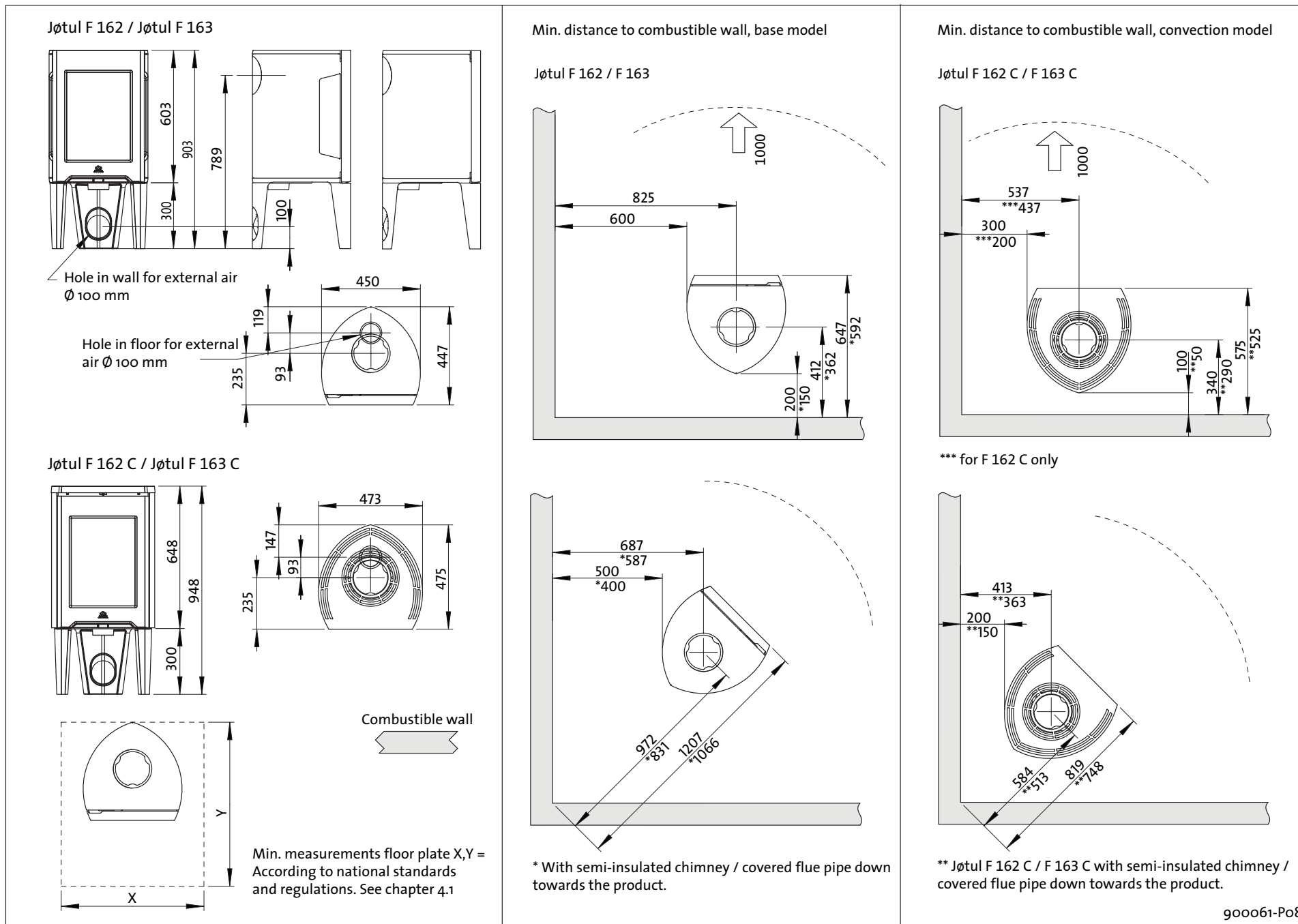




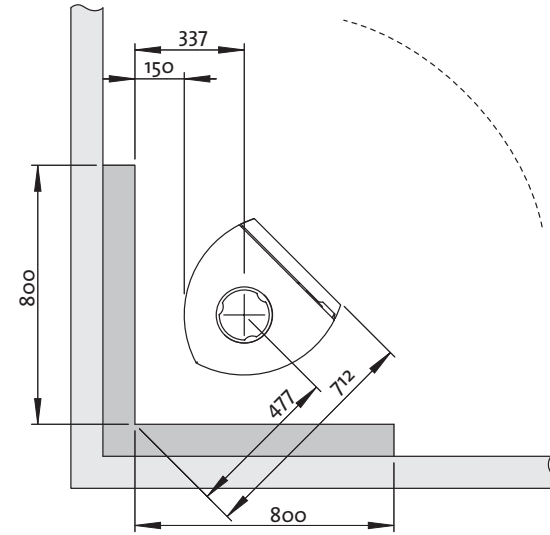
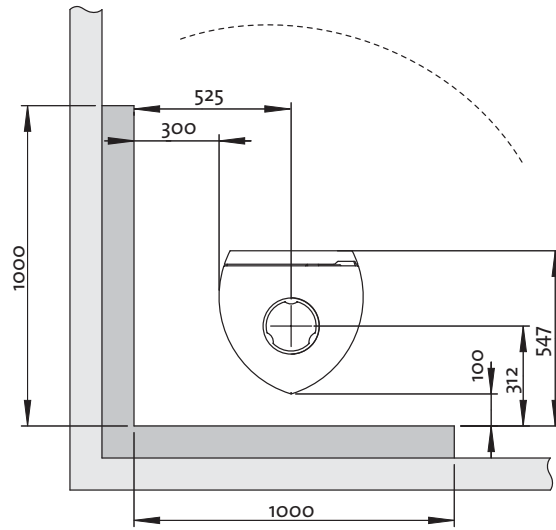
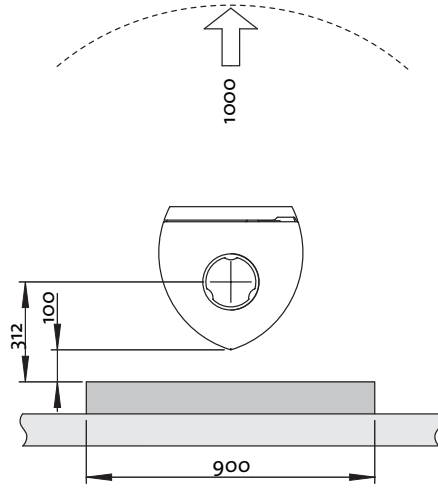
Fig. 1b

# Jøtul F 162 / Jøtul F 163

Min. distance to combustible wall protected by firewall:

 Combustible wall  
 Firewall

External



Integrated

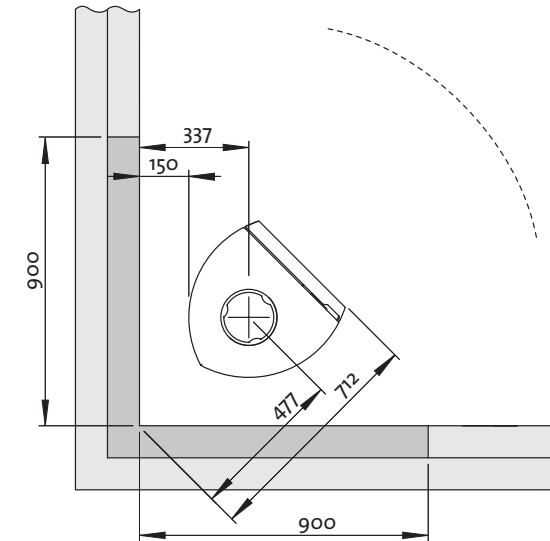
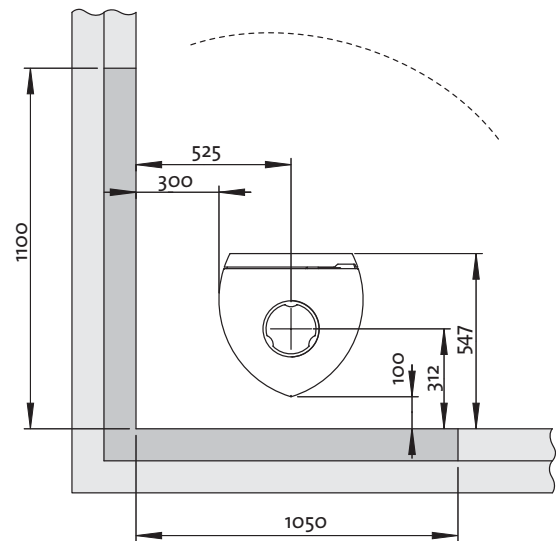
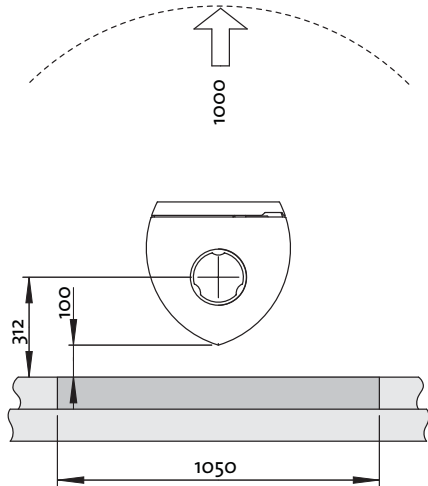


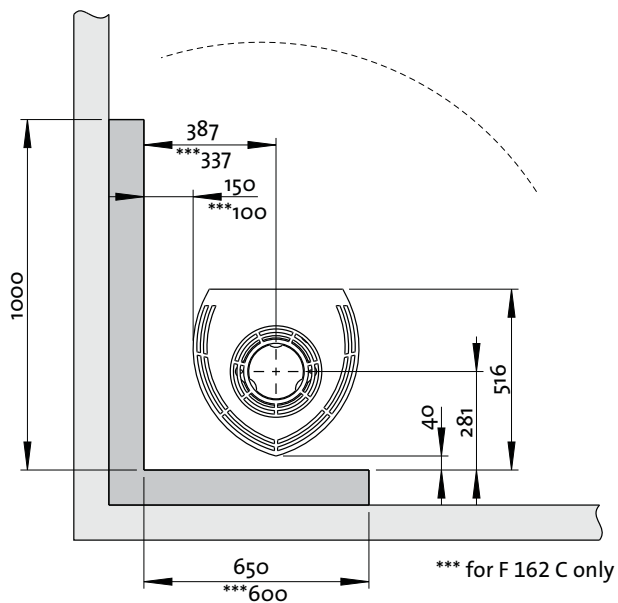
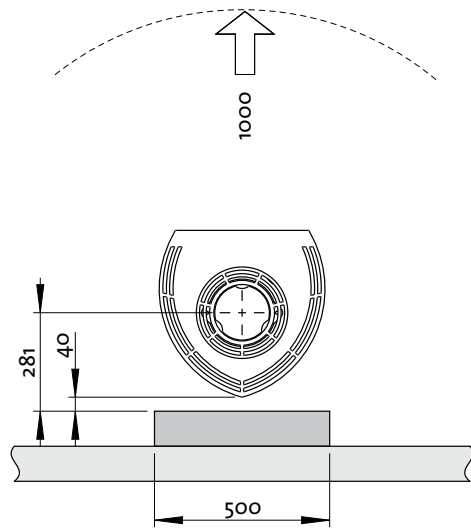
Fig. 1c

# Jøtul F 162 C / Jøtul F 163 C

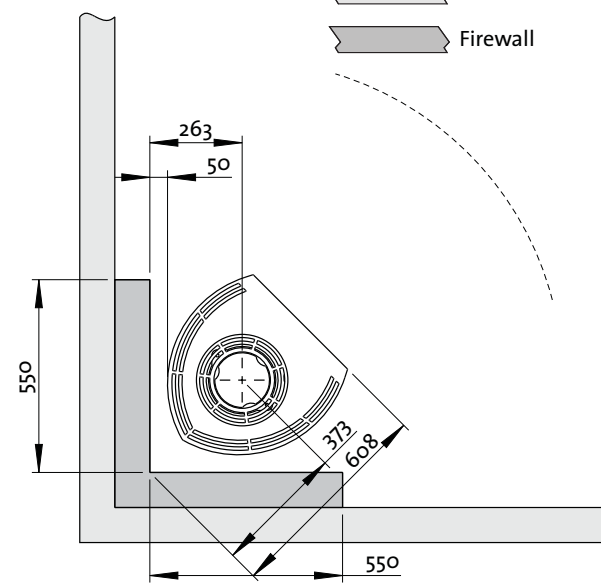
Min. distance to combustible wall protected by firewall:

 Combustible wall  
 Firewall

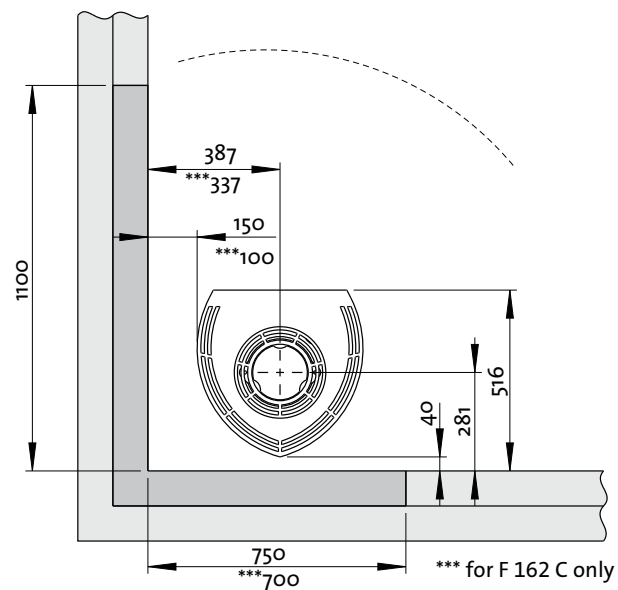
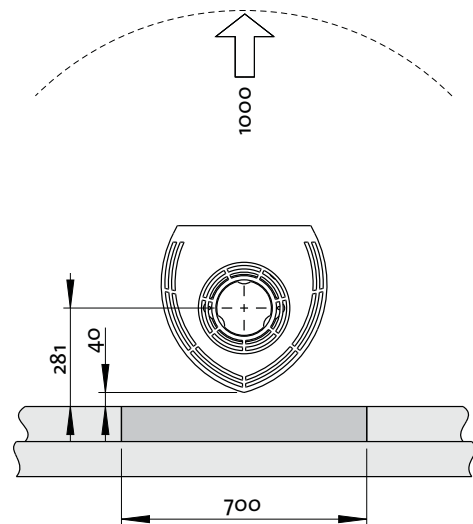
External



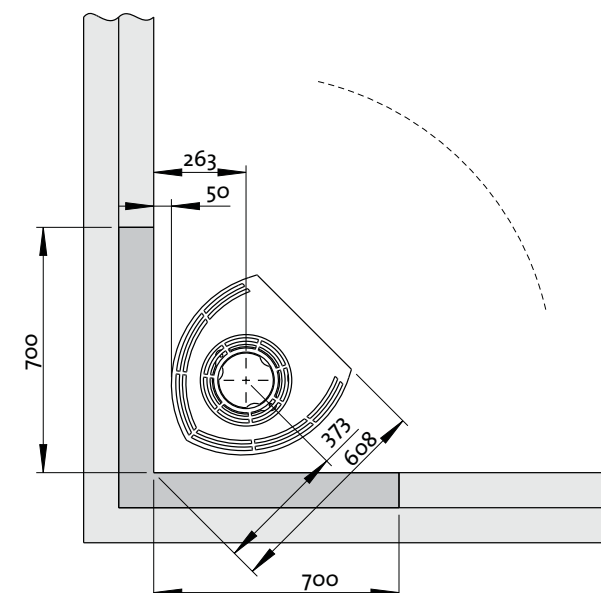
\*\*\* for F 162 C only



Integrated



\*\*\* for F 162 C only



900061-Po8